



A WORLD LEADER IN FUME EXTRACTION TECHNOLOGY



FireBOX GA

Last Updated on 12.04.2021



For added safety and protection from fires.

Self extinguishing inline pre-filter

In the event that a burning ember is drawn into the fume extraction unit, there is the possibility that hot debris in the filters could ignite. Although any resultant fire would typically be retained within the fume extraction unit, this would cause significant damage and in extreme circumstances the risk may extend beyond the extraction unit. For processes where such risks have been identified, additional protection in the form of an in line FireBOX is an additional precaution.

The built in temperature controller can be set so when a 10°C (18°F) temperature rise over the pre-set ambient temperature is detected, the **FireBOX GA** will activate the isolating valves and switch off the power to the extraction unit, suppressing the airflow to the FireBOX and reducing the fire. If the temperature rises another 10°C (18°F) then the fire extinguisher will be activated.

Independent tests by Ordnance Testing Solutions Ltd found the **FireBOX GA** contains and suppresses fires consisting of burning polymer particulate. The **FireBOX GA** is designed for general applications and is not for use on metal-based applications. Please refer to the [FireBOX MA datasheet](#) or contact us to ensure you chose the right system.

Shipping Instructions – Dangerous Goods Classification

The Firebox product category (MA & GA) contains components that means it has been classified as **Dangerous goods** under the **Dangerous Goods Regulations**.

The classification of the product falls under **UN1044 - FIRE EXTINGUISHERS, CLASS 2.2** and will need addressing for transport via both Air and Sea. On the occasion that the product is to be moved via road freight then it is exempt from ADR Regulations for transport (Under Special Provision 594) and no further action is required.

For more information, please contact BOFA or your freight forwarder.

[Watch our fire suppression video](#)

Technology



DeepPleat DUO pre-filter



Reverse flow air technology



Multi voltage sensing (MVS) unit



Patented technology



ProTECT service plan



SureCHECK quality standard

Contact BOFA at <https://bofainternational.com/en/contact/>

<https://bofainternational.com/en/portal/datasheets/firebox-ga/>



Typical applications

- Scroll sawing
- Sanding

- Wood lathing
- Band sawing

- Planing

- Circular sawing

Technical specification

1. On / off switch

5. Door latches

9. Air outlet

2. Warning beacon

6. Castors

10. Power out (to extraction unit)

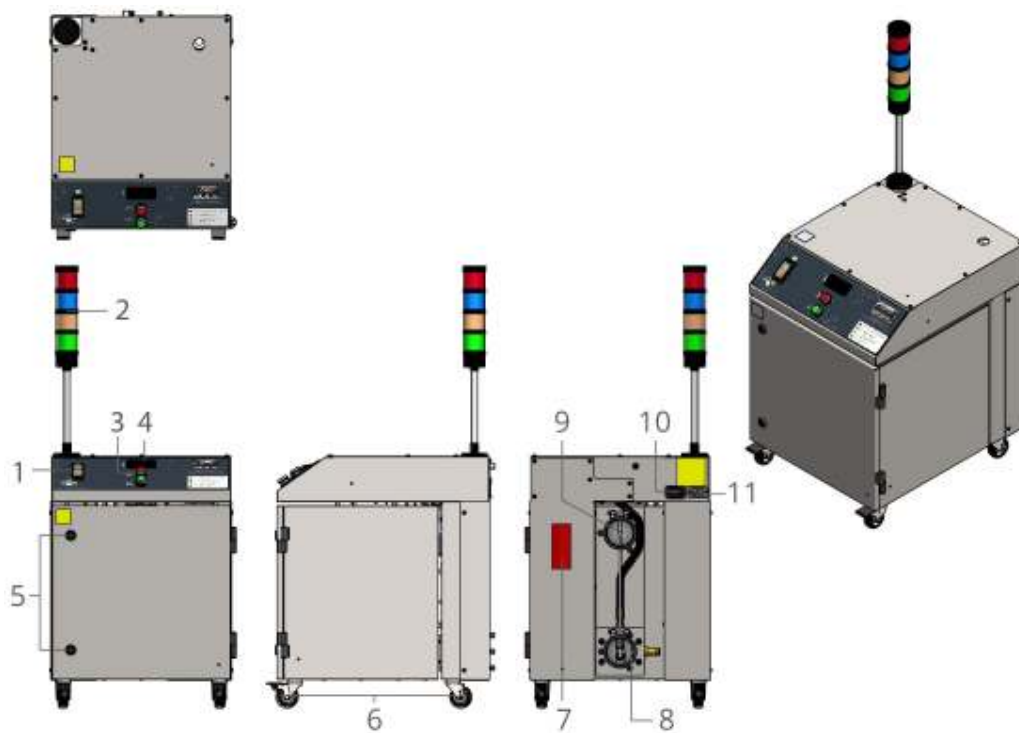
3. Value test buttons

7. Fire extinguisher

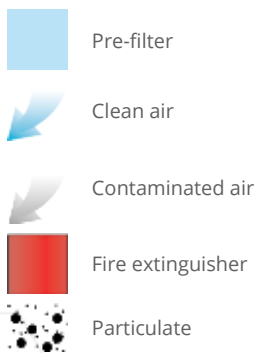
11. Power inlet

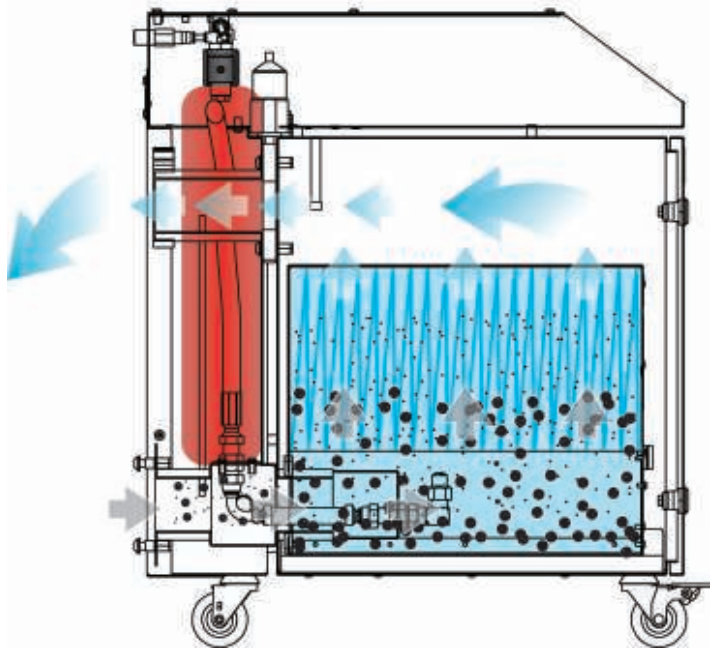
4. Temperature display

8. Air inlet



Airflow drawing





Technical data

	EU	US
Dimensions (HxWxD)	1185 x 495 x 640mm (including beacon)	46.65 x 19.48 x 25.2" (including beacon)
Cabinet construction	Brushed stainless steel	Brushed stainless steel
Airflow	Up to 500m ³ /hr	Up to 294cfm
Electrical data	115-230v Single-phase 1~ 50/60Hz	115-230v 50/60Hz
	Max load current: 13 amps	Max load current: 13 amps
Weight	56kg	123lbs
Approvals	UKCA and CE	UKCA and CE

DeepPleat DUO pre-filter specifications

Surface media area	12m ² approx (129.12 ft ²)
Filter media	Borosilicate
Filter media construction	Pleated with glue bead spacers
Filter housing	Zintec mild steel
Filter efficiency	95% @ 0.9 microns

Unit part numbers

Model	Voltage	Part no.	Hose kit
FireBOX GA Stainless steel	115-230V	1060147-1558	Metal hose only. Please contact BOFA for more information.

Replacement filters

Model	DeepPleat DUO pre-filter
FireBOX GA	A1030156

BOFA International Ltd shall not be liable due to misuse of the equipment, use of materials not specified within the applications listed. For further information of acceptable materials, contact BOFA International.

Goods provided under warranty: the warranty does not provide cover for normal wear and tear and in addition such warranties shall be null and void if the Goods are modified, improperly installed or used, damaged wilfully, by accident or by neglect or by failure to follow the specified maintenance schedule provided in the user manual or in the event of any parts being improperly installed or replaced (other than by an authorised representative of BOFA). Please refer to [BOFA International terms and conditions](#) for further information.

Datasheet correct at time of publishing.

Where applicable, the carbon used in BOFA units is capable of removing a wide range of VOC's, however it is the responsibility of the user to ensure the carbon is suitable for their application. For specific applications, please contact us for details.

Think before you print! Please consider the environment before printing this document.



MJB - 18 avenue du Gué Langlois – 77600 BUSSY ST MARTIN

Tel : 01.64.62.68.00 Fax : 01.64.62.70.87

Mail: infoMJB@mjb.fr - www.mjb.fr