

Polarizing LED ring light

LE.1975

HIGHLIGHTS

- Intensity adjustable LED ring light
- Removable polarizer/analyzer
- 5 Degree read-out
- Designed to reduce unwanted glare and reflections
- Highlights details and structures in the samples
- Control over polarization direction
- Accepts 35 to 62 mm stereo heads or zoom systems

TECHNICAL SPECIFICATIONS

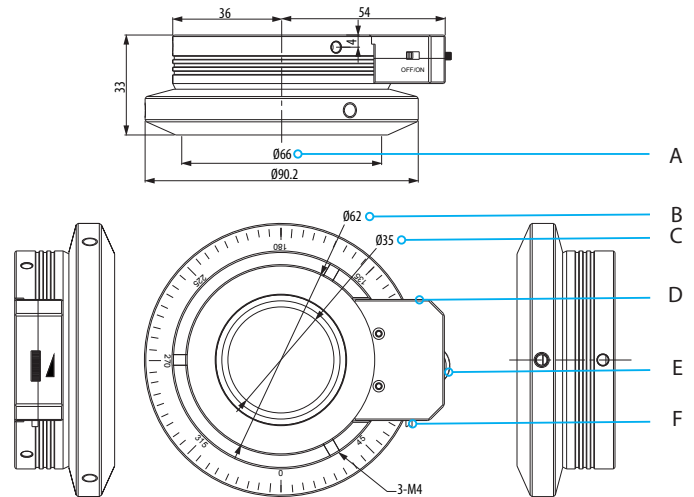
LED	High power LEDs, 16 pcs
Color temperature	6500-7500 K, white
Light intensity	0% - 100% adjustable
Light power	≥ 44000 lux @ 100 mm
Environment temperature & Humidity	0 - 40° Celsius / 20 - 80% RH
LED life span	Typical 30,000 hours (Lumen depreciation L70 IEC 62722-2-1)
Working distance	40 - 120mm
Power supply	100 - 240Vac / 24 Vdc
Mounting	Accepts 35 - 62mm stereo heads or zoom systems
Weight (g)	350
Casing	Black oxide aluminum

ADVANTAGES POLARIZING LED RING LIGHT:

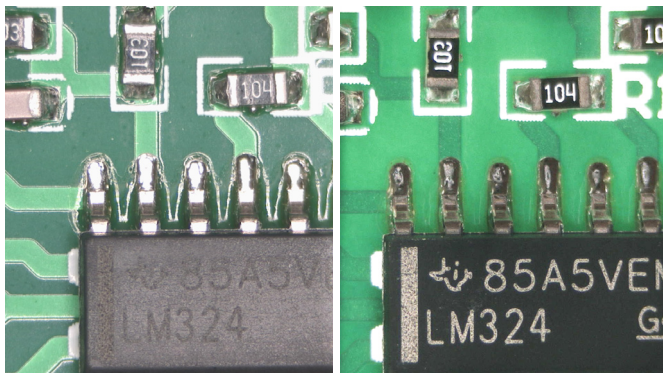
The polarized ring light minimizes unwanted glare and reflections from shiny or reflective surfaces, such as glass or metal. By controlling the polarization direction, you can effectively eliminate or significantly reduce these distracting elements, allowing for clearer visualization of the specimen. This helps to highlight specific details and structures in the sample, making them more visible and easier to observe



● LE.1975



- A.** Emitting surface
- B.** Fitting diameter: depth 10
- C.** Emitting hole diameter
- D.** Power input
- E.** Light intensity control
- F.** ON/OFF switch



without polarized light

with polarized light



MJB – 18 avenue du Gué Langlois – 77600 BUSSY ST MARTIN
 Tel : 01.64.62.68.00 – Mail : infoMJB@mjb.fr
 Internet : www.mjb.fr

